

**HAFEX<sup>®</sup>**

**K-TYPE**

**HFX-50**  
**DATA SHEET**



# HFX-50

MODEL NAME :	HFX-50
GROSS WEIGHT :	700 gr ±%2
CHEMICAL WEIGHT :	50 gr. POTASSIUM NITRATE
COOLING SECTION WEIGHT :	100 gr. ±%5 (PRP:%99 Al <sub>2</sub> O <sub>3</sub> , 6mm Ø Melting Point 2050°C)
HIGH TEMPERATURE INSULATION FELT :	5 pcs. 3mm(d),(1300°C)
DIMENSIONS :	50 x 50 x 130 (in mm.)
MARKING METHOD :	Screen Printing (Serigraph)
CASING MATERIAL :	STAINLESS STEEL/PAINTED STEEL

## APPROVALS



TS ISO 15779



ISO 15779

CE 2806

TS EN 15276



TS EN 15276



ATEX



0437/24

bsi  
Aerosol  
Fire  
Extinguishers  
KITEMARK™

BS EN 15276 ( BSI KITEMARK )

MED - IMO MSC.1/Circ.1270 ( WHEELMARK )

ATEX ( EX-PROOF MARK )

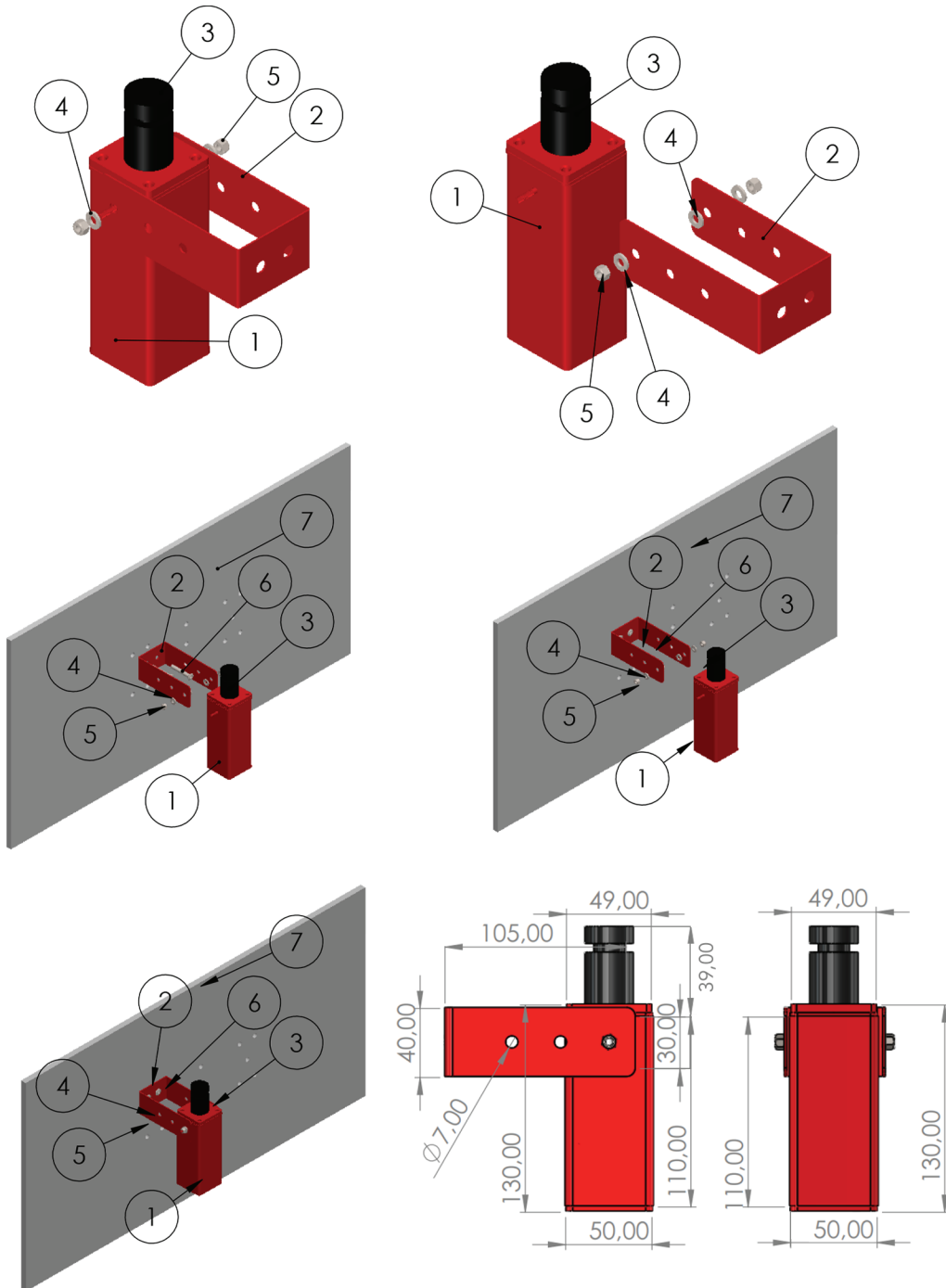
## DISCHARGE CHARACTERISTICS OF HAFEX CONDENSED AEROSOL GENERATORS

MODEL NAME	75°C DISTANCE (m)	200°C DISTANCE (m)	400°C DISTANCE (m)	DISCHARGE TIME (sec)
HFX - 50	-	-	-	3 - 5

# WALL INSTALLATION

## HFX-50 WALL INSTALLATION

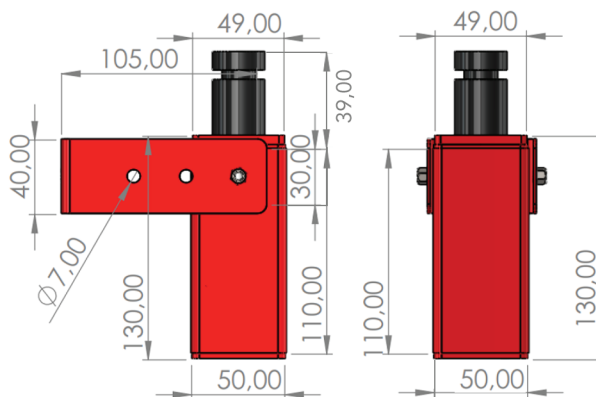
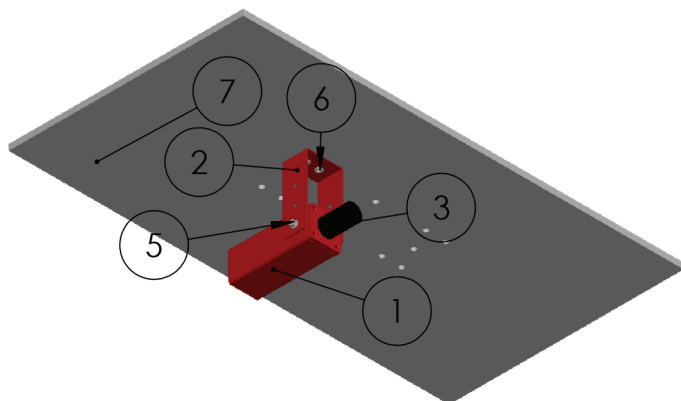
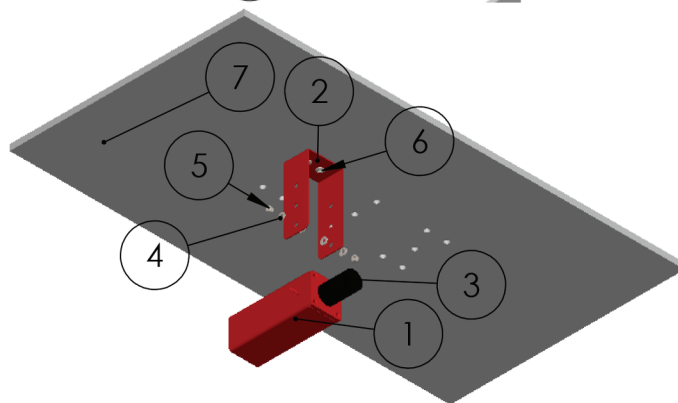
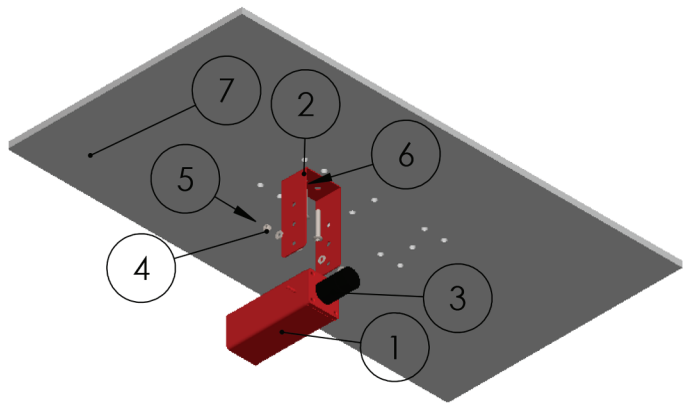
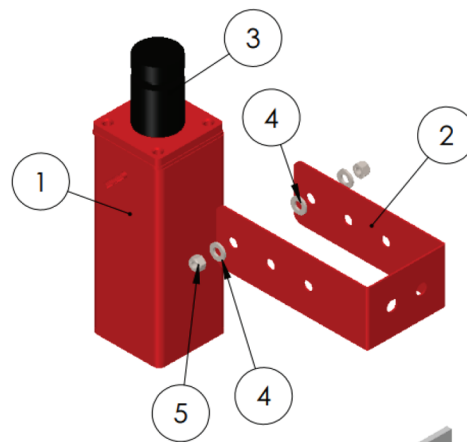
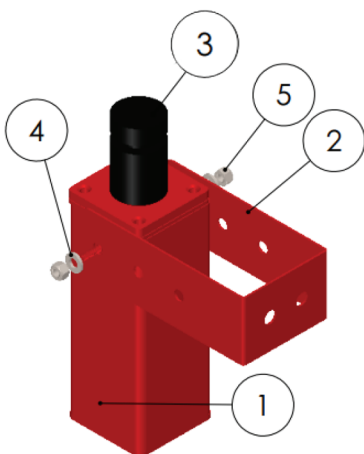
- 1. AEROSOL BODY
- 2. HANGING APPARATUS
- 3. IGNITER/ACTIVATOR
- 4. SCREW
- 5. NUT BOLT
- 6. BOLT
- 7. INSTALLATION WALL



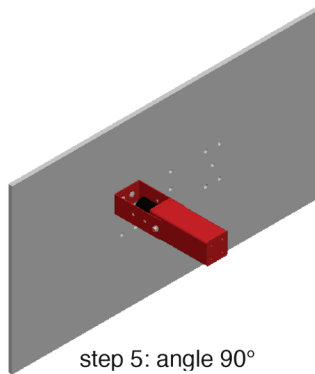
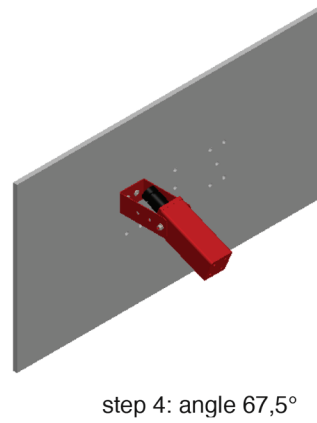
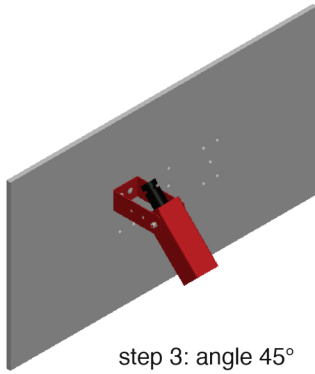
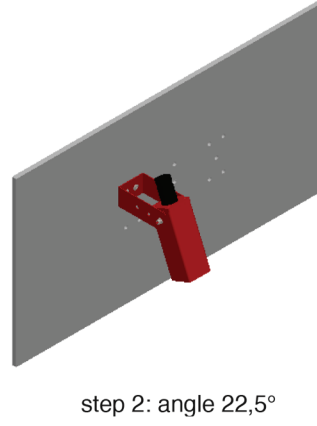
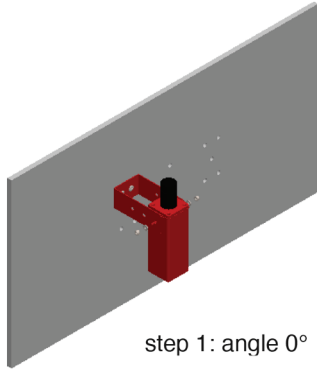
# CEILING INSTALLATION

## HFX-50 CEILING INSTALLATION

- 1. AEROSOL BODY
- 2. HANGING APPARATUS
- 3. IGNITER/ACTIVATOR
- 4. SCREW
- 5. NUT BOLT
- 6. BOLT
- 7. INSTALLATION WALL



# ANGLE OPTIONS



**WARNING:** IF THE ANGLE OF THE DISCHARGE PATH IS REQUIRED TO BE CHANGED, REMOVE THE SCREWS THEN TURN THE AEROSOL BODY TO THE CORRECT ANGLE AND TIGHTEN THE SCREWS WHICH WERE REMOVED.



**YG FIRE SECURITY**  
INDUSTRY AND  
FOREIGN TRADE  
LIMITED COMPANY

4. Levent Sanayi Bölgesi,  
Yeşilce Mahallesi,  
Demirbas Sokak No:20  
Kagithane  
İstanbul  
TÜRKİYE

T +90 212 210 62 06  
F +90 212 210 62 07

**INTERNATIONAL CALLS**  
**(GSM & WhatsApp)**  
+90 546 500 24 05

E [info@hafex.com.tr](mailto:info@hafex.com.tr)  
[info@ygyangin.com](mailto:info@ygyangin.com)

**Europe Office**  
HAFEX EU s.r.o  
Revoluční 1403/28,  
Nové Město,  
110 00 Praha 1  
Czech Republic

E [info@hafex.eu](mailto:info@hafex.eu)