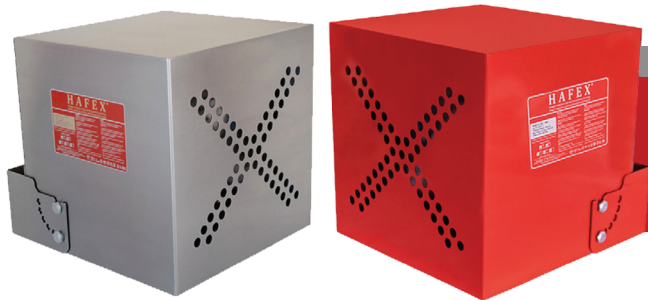


**HAFEX<sup>®</sup>**

**K-TYPE**

**HFX-7600**  
**DATA SHEET**



# HAFX-7600

MODEL NAME :	HAFX-7600
GROSS WEIGHT :	39800 gr ±%1
CHEMICAL WEIGHT :	7600 gr. POTASSIUM NITRATE
COOLING SECTION WEIGHT :	15200 gr. ±%5 (PRP:%99 Al <sub>2</sub> O <sub>3</sub> , 16mm Ø Melting Point 2050°C)
HIGH TEMPERATURE INSULATION FELT :	5 pcs. 3mm(d),(1800°C)
DIMENSIONS :	361 x 361 x 350 (in mm.)
MARKING METHOD :	Screen Printing(Serigraph)
CASING MATERIAL :	STAINLESS STEEL/PAINTED STEEL

## APPROVALS



TS ISO 15779



ISO 15779

CE 2806

TS EN 15276



TS EN 15276



ATEX



0437/24

Aerosol  
Fire  
Extinguishers  
KITEMARK™

BS EN 15276 ( BSI KITEMARK )

MED - IMO MSC.1/Circ.1270 ( WHEELMARK )

ATEX ( EX-PROOF MARK )

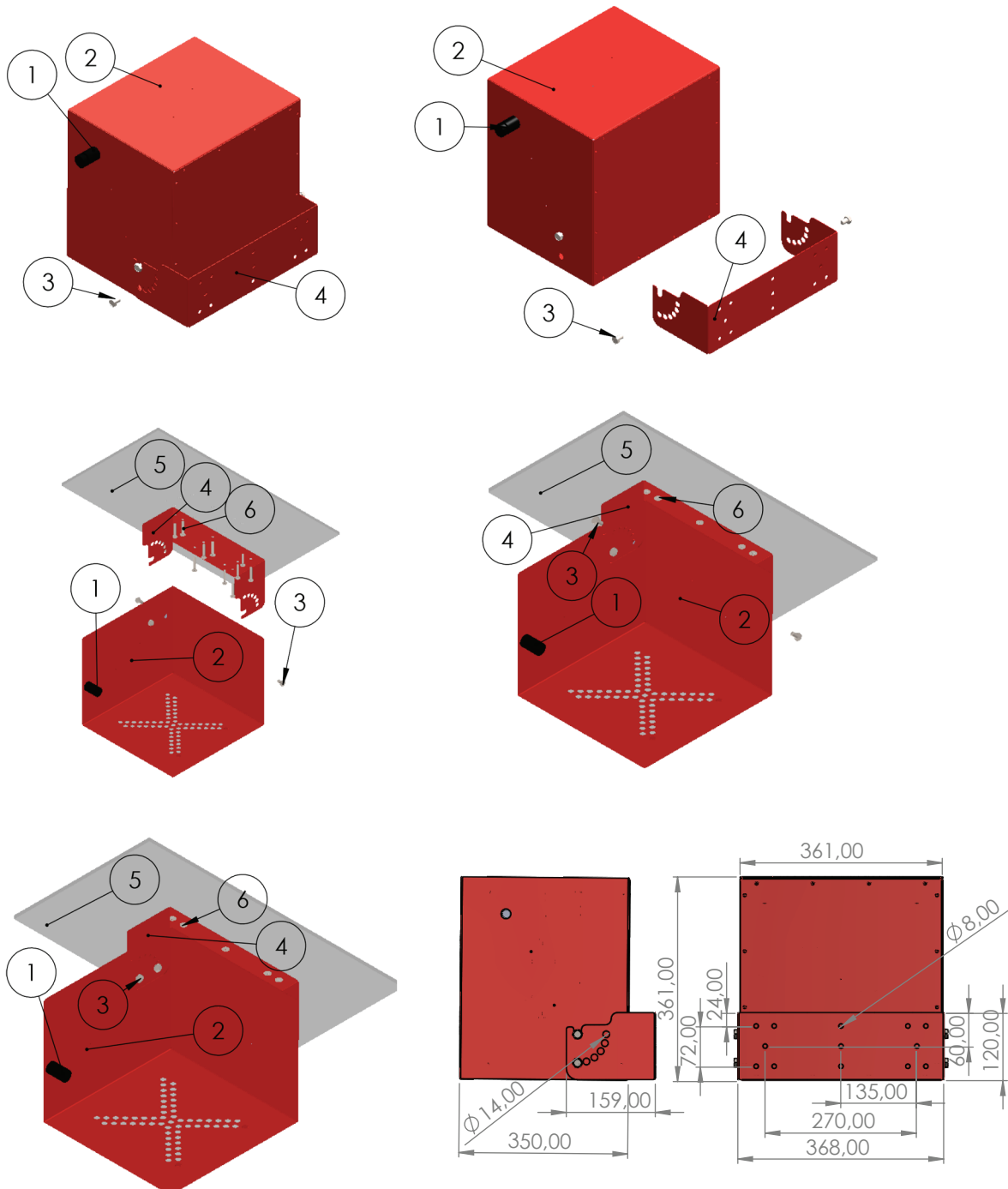
## DISCHARGE CHARACTERISTICS OF HAFX CONDENSED AEROSOL GENERATORS

MODEL NAME	75°C DISTANCE (m)	200°C DISTANCE (m)	400°C DISTANCE (m)	DISCHARGE TIME (sec)
HAFX-7600	2.50	1.50	0.40	17-20

# WALL INSTALLATION

## HFX-7600 WALL INSTALLATION

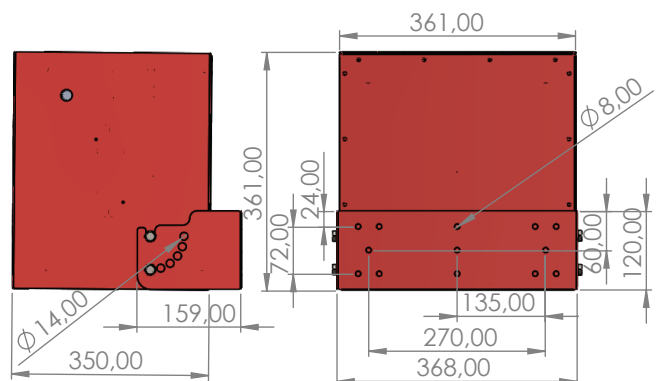
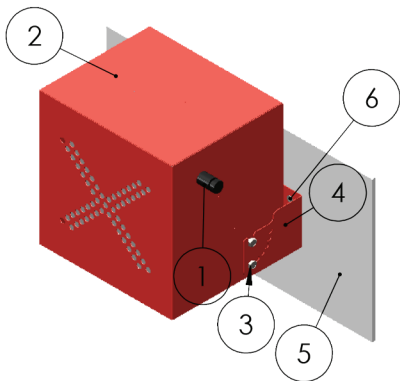
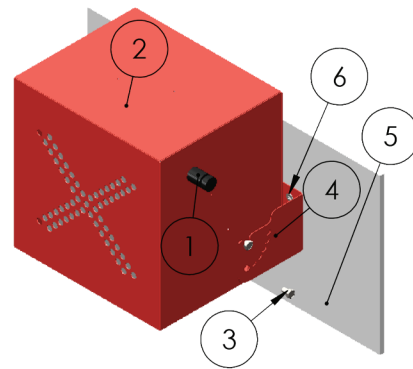
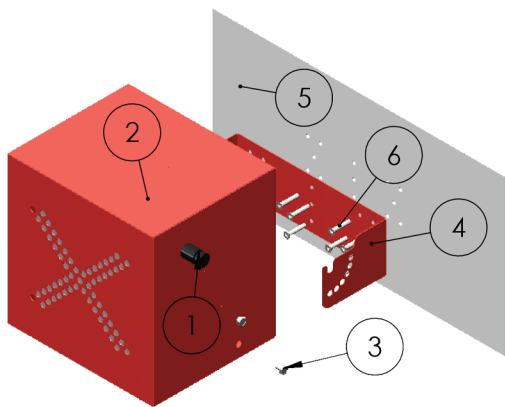
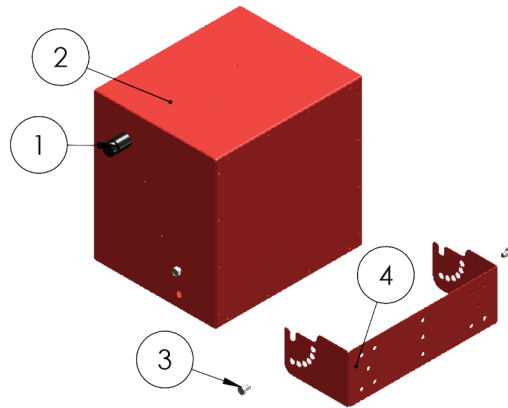
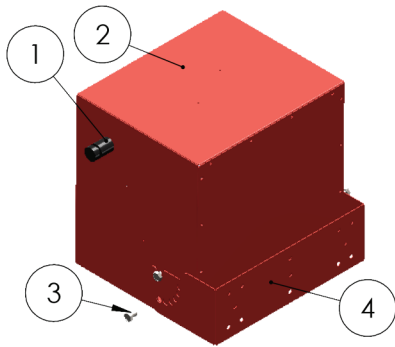
1. AEROSOL BODY
2. HANGING APPARATUS
3. IGNITER/ACTIVATOR
4. SCREW
5. BOLT
6. INSTALLATION WALL



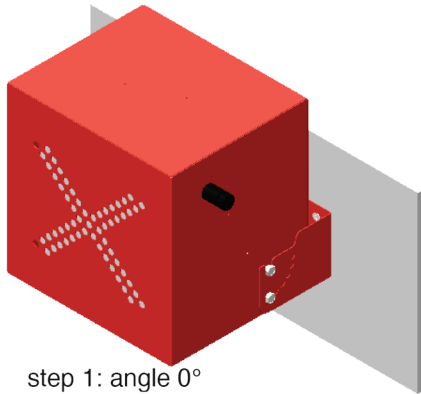
# CEILING INSTALLATION

## HFX-7600 CEILING INSTALLATION

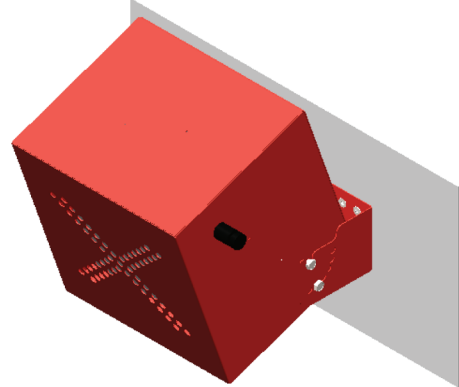
1. AEROSOL BODY
2. HANGING APPARATUS
3. IGNITER/ACTIVATOR
4. SCREW
5. BOLT
6. INSTALLATION WALL



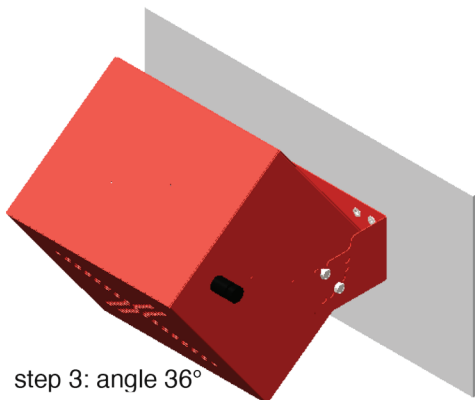
# ANGLE OPTIONS



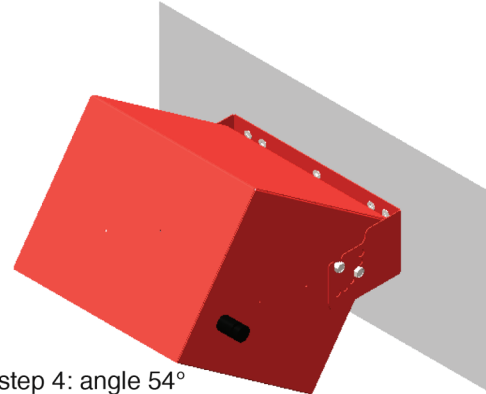
step 1: angle 0°



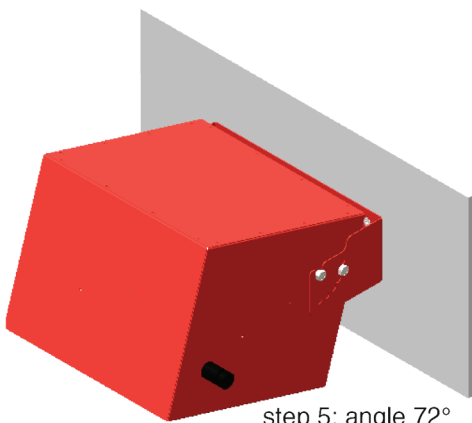
step 2: angle 18°



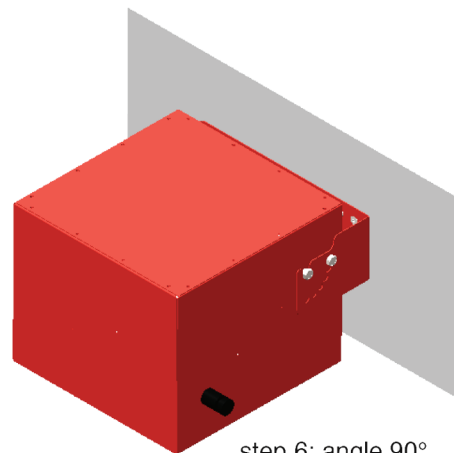
step 3: angle 36°



step 4: angle 54°



step 5: angle 72°



step 6: angle 90°

**WARNING:** IF THE ANGLE OF THE DISCHARGE PATH IS REQUIRED TO BE CHANGED, REMOVE THE SCREWS THEN TURN THE AEROSOL BODY TO THE CORRECT ANGLE AND TIGHTEN THE SCREWS WHICH WERE REMOVED.



**YG FIRE SECURITY**  
INDUSTRY AND  
FOREIGN TRADE  
LIMITED COMPANY

4. Levent Sanayi Bölgesi,  
Yeşilce Mahallesi,  
Demirbas Sokak No:20  
Kagithane  
İstanbul  
TÜRKİYE

T +90 212 210 62 06  
F +90 212 210 62 07

**INTERNATIONAL CALLS**  
**(GSM & WhatsApp)**  
+90 546 500 24 05

E [info@hafex.com.tr](mailto:info@hafex.com.tr)  
[info@ygyangin.com](mailto:info@ygyangin.com)

**Europe Office**  
HAFEX EU s.r.o  
Revoluční 1403/28,  
Nové Město,  
110 00 Praha 1  
Czech Republic

E [info@hafex.eu](mailto:info@hafex.eu)